



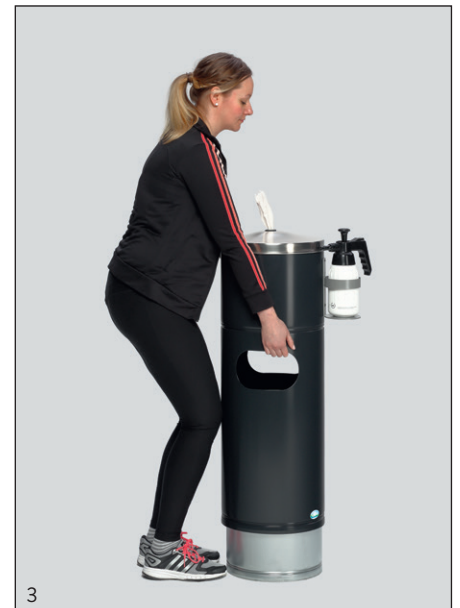
DISINFECTION STATION FOR PAPER TOWELS WITH BOTTLE HOLDER AND INSIDE BIN

Corpus and head part are made of either galvanized steel sheets and stainless steel. Galvanized version has a powder coating ("black-grey", close to RAL7021) in polyester-basis for optimal surface protection.

Lid with an opening (for protection with a rubber piece) for extraction of paper towels made of dimly polished stainless steel. Bottle holder is made of galvanized steel sheets and has a silver powder coating. (Mountation with the middle part)

Measurements HxD: ca. 125 x 120 mm

Delivery incl. inside bin made of galvanized steel sheets with practical handles (capacity ca. 32 l).



Measurements HxDxW:
ca. 900 x 460 x 350 mm

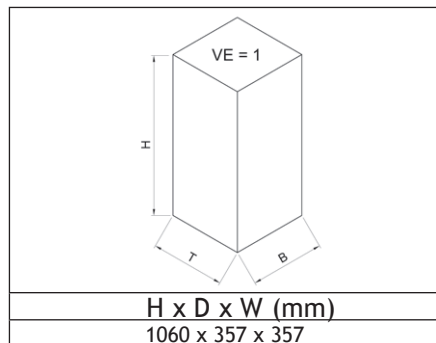
Weight: ca. 11,3 kg

Article-No.:

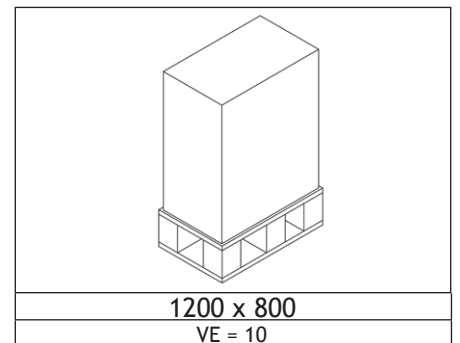
2011 = powder coated

2012 = stainless steel

Individual delivery packed in cartons. Paper towels and bottle not included!



H x D x W (mm)
1060 x 357 x 357



1200 x 800
VE = 10

