



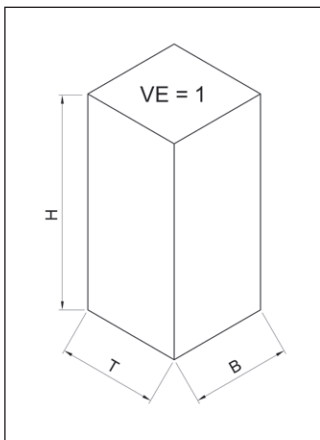
BIN BAG STAND WITH FOOT PEDAL

Solid steel construction for 120 l garbage bags with practical galvanized foot pedal.

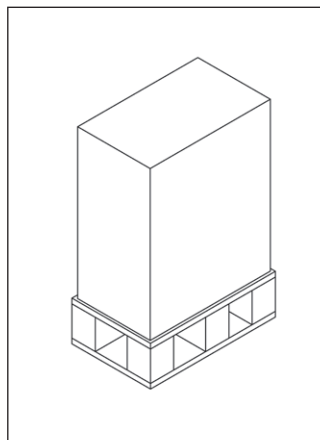
Either

- blue (RAL 5010) coated frame (black plastic lid) or
- galvanized frame (silver plastic lid)

Equipment: garbage bag, 120 l, Art.-No.: 1121, 250 pcs

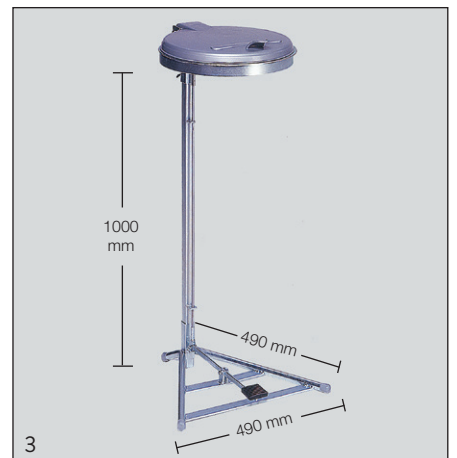


H x D x W (mm)	
bin bag stand	150x565x710
garbage bags	230x380x300



1200 x 800
VE = 20 pcs
VE = 56 pcs

Art.-No.	Color	plastic lid
10205	blue	black
10245	galvanized	silver



Delivery unmounted, for easy self-assembly. Individually packed in cartons.

