



WASTE COLLECTOR ENVIRONMENT-FRIENDLY · PRACTICAL · HYGIENIC WITH PLASTIC OR METAL LID

The waste collector are made of steel part and are, for optimal surface protection, powder coated or galvanized

The coated versions are delivered with black plastic lids (PL-lid) or with hot-dip galvanized metal lids (ME-lid). The galvanized versions are delivered with silver plastic lids or with hot-dip galvanized lids.

All versions are equipped with a galvanized clamp bar for the fixation of the garbage bag.

Slot opening of all devices ca. 350 mm



Pic.: Model "Stationary with screwing, gentian blue" with plastic lid, for a permanent installation
Art.-Nr. 10302



Pic.: Model "Standard, galvanized" with plastic lid, Art.-No. 1024



Pic.: Model "Stationary with screwing, galvanized" with metal lid, Art.-No. 10311



Pic.: Model "Standard, gentian blue" with plastic lid



Pic.: Model "Stationary with screwing, galvanized" with plastic lid, for a permanent installation, Art.-No. 1031



Pic.: Model "Standard" galvanized with metal lid, Art.-No. 10241

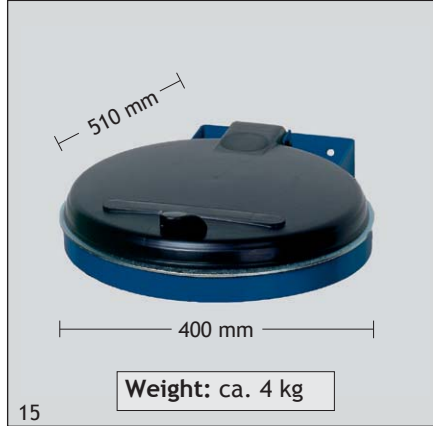




For a clean environment: Waste collector with clamping device for 120-l garbage bags



Pic.: Model "Consol, galvanized" with metal lid, for wall installation, Art.-No. 10911



Pic.: Model "Consol, gentian blue" with plastic lid, for wall installation, Art.-No. 10904



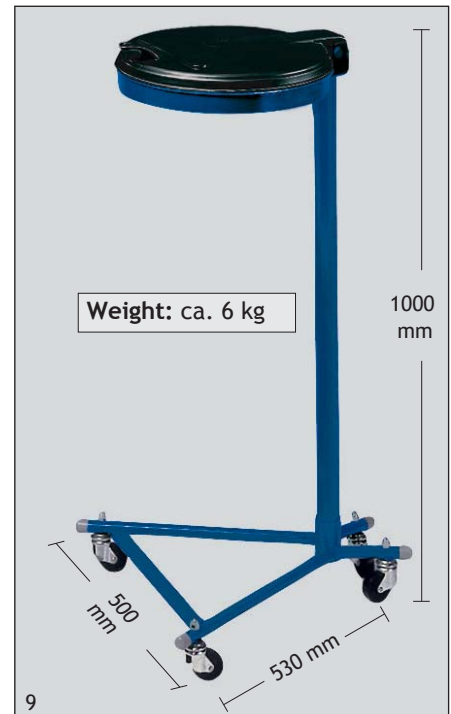
Abb.: Modell „Kombi, verzinkt“ mit 2 Laufrollen und KS-Deckel, Art.-Nr. 1041



Pic.: Model "Combi, galvanized" with 2 castors and plastic lid, Art.-No. 1041



Pic.: Model "Super, galvanized" with 4 castors and metal lid, Art.-No. 10512



Pic.: Model "Super, gentian blue" with 4 castors and plastic lid, Art.-No. 10502

Model	Version with plastic lid		Version with metal lid	
	gentian blue	galvanized	gentian blue	galvanized
Standard	10203	1024	10204	10241
Stationary	10302	1031	10303	10311
Combi	10403	1041	10404	10411
Super	10502	1051	10503	10512
Console	10904	1091	10905	10911

Individual delivery. Packed in cartons. Simple self-installation.

