



# COMPACT WASTE COLLECTOR 120 L WITH STAINLESS STEEL AND "ALU-DUETT"-SHEETS

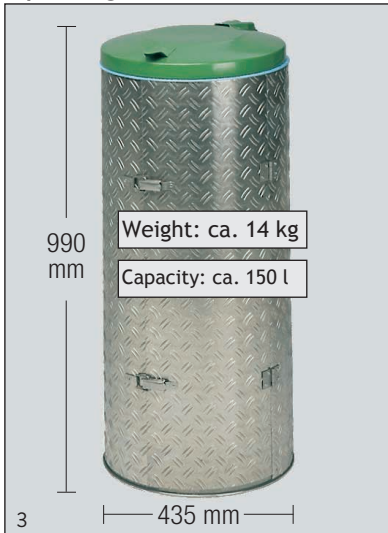
Specially suited for the outdoor use or use in humidity ranges. To be equipped with a 120 l garbage bag. The used materials ensure a long lifespan and an appealing optic.

Devices are made of stainless steel, including the lids which are furthermore powder coated. The outside as well as the doors are made of "alu-duett" sheets.



Pic.: Art.-No. 1702, stainless steel lid blue

Opening ca. Ø 395 mm



Pic.: Art.-No. 1703, stainless steel lid green

**Equipment:**  
Garbage bag 120 l, VE=250 pcs, Art.-No. 1121



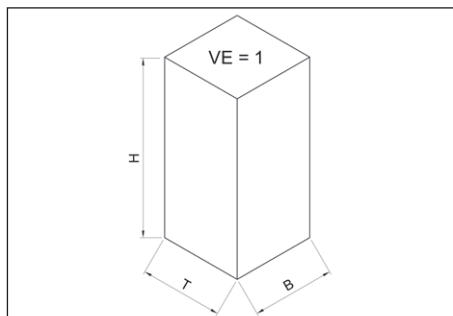
Pic.: Art.-No. 1704, stainless steel lid grey



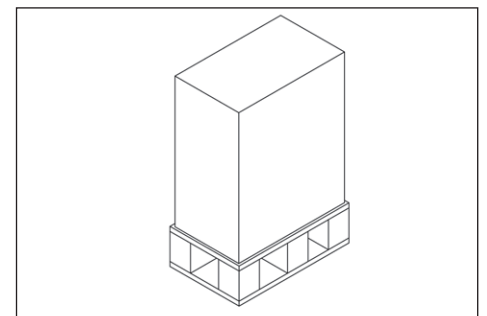
Pic.: Art.-No. 1701, stainless steel lid yellow

Art.-No.	Deckel powder coated
1701	yellow (RAL 1023)
1702	blue (RAL 5010)
1703	green (RAL 6001)
1704	grey (RAL 7032)

Lieferung einzeln im Karton verpackt.



H x D x W (mm)
C.-Alu 120 l = 1050 x 460 x 450
Garbage bags = 230 x 380 x 300



1200 x 800
VE = 8
VE = 56

