



# WASTE COLLECTOR WITH FOOT PEDAL



Available in five sizes. Either white, anthracite or polished stainless steel.

Equipped with a plastic, liquid-tight inside bin and floor sparing edge protection.



CAPACITY	(RAL)	white	anthracite	stainless steel polished	weight ca. kg
		(9016)	(7021)		
3 LTR.	ART.-NO.	43011	43012	43013	0,9
5 LTR.	ART.-NO.	43021	43022	43023	1,2
12 LTR.	ART.-NO.	43031	43032	43033	2,1
20 LTR.	ART.-NO.	43041	43042	43043	2,8
30 LTR.	ART.-NO.	43051	43052	43053	4,0





**VAR** HYGIENE

# WASTE COLLECTOR WITH FOOT PEDAL



**1**

**2**

**3**

**4**

**5**

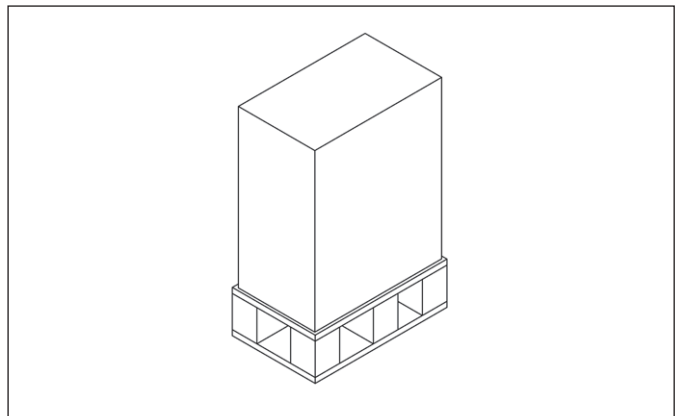
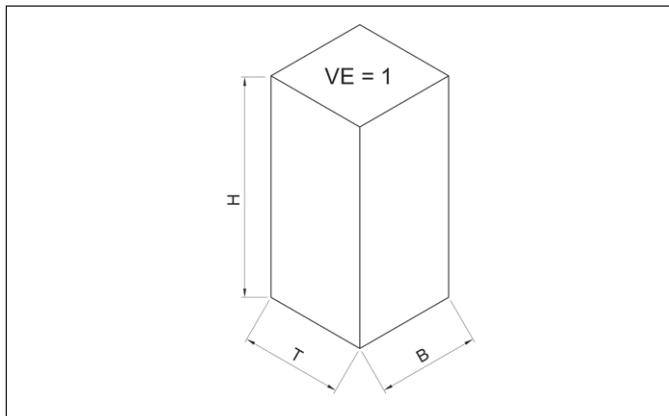
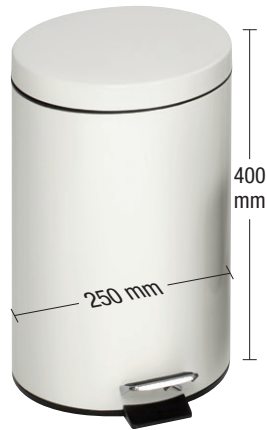
Capacity 3 L

Capacity 5 L

Capacity 12 L

Capacity 20 L

Capacity 30 L



H x D x W (mm)
3-l = 280 x 185 x 185
5-l = 300 x 235 x 225
12-l = 430 x 320 x 320
20-l = 480 x 350 x 350
30-l = 690 x 370 x 370

1200 x 800
3-l VE = 96
5-l VE = 60
12-l VE = 32
20-l VE = 24
30-l VE = 15

