



**VAR PREMIUM**



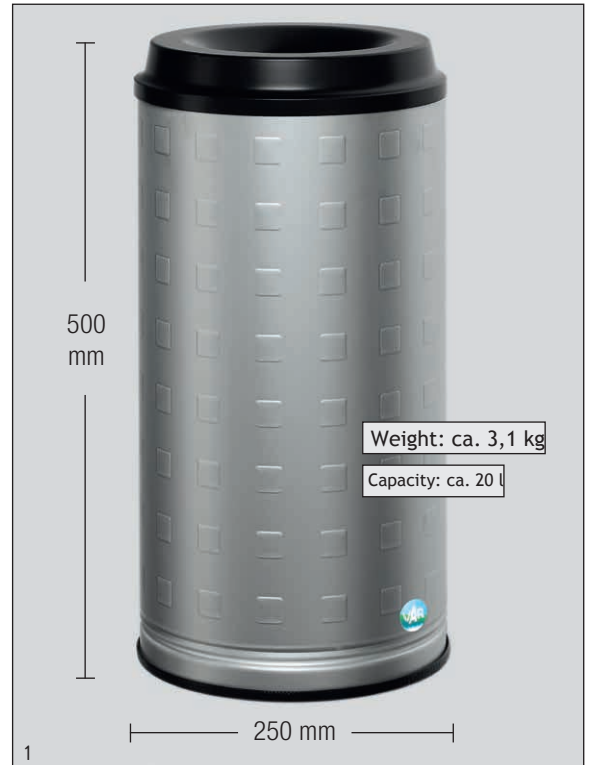
# WASTE BASKET STANDING OR WALL DEVICE OF ELOXED ALUMINIUM

Made of aluminium ALMG1 with an insensitive and eloxed surface.

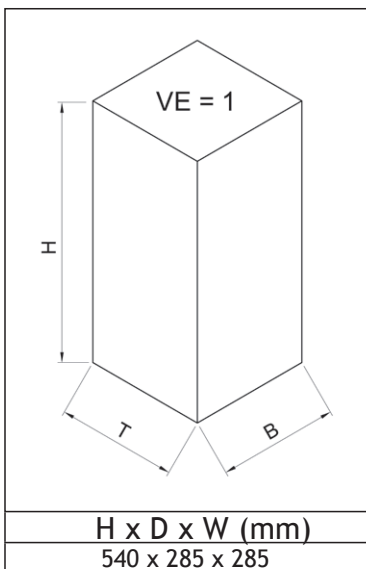
**Seawater enduring !**

Appealing optic through stamping ppg 20-50.

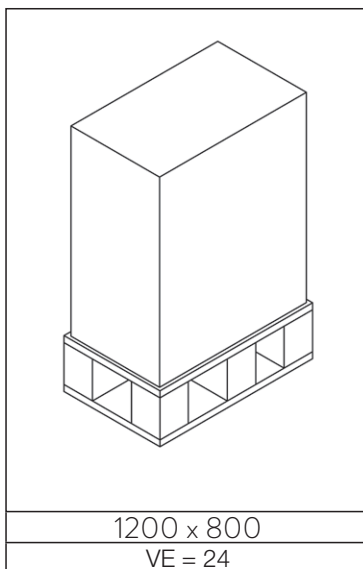
Floor sparing edge protection. Head part and wall holder made of steel sheets, black coated. Also available with an antique-silver powder coating. Wall device incl. fitting material.



Art. - No.	Description
28574	waste basket, standing, alu,eloxed
28578	waste basket, standing, alu,antiquesilver
28573	waste basket, wall, alu, eloxed
28577	waste basket, wall, alu, antiquesilver



H x D x W (mm)  
540 x 285 x 285



1200 x 800  
VE = 24

