



VAR SMOKE



ASHTRAY/WASTE COLLECTOR WITH FOURFOLD OPENING



A user-friendly device with four slot openings all of which are optimally reachable from all sides.

The ashtray/waste collector with fourfold opening is manufactured from galvanized steel sheets and powder coated for an optimal surface protection.

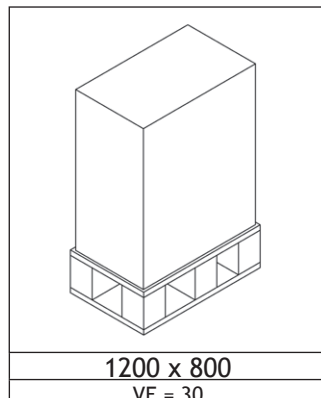
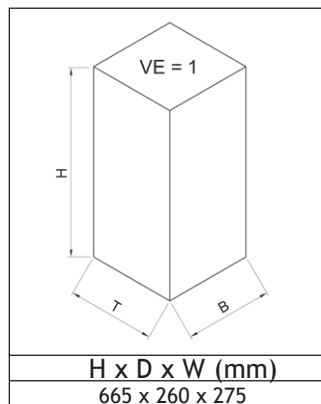
Devices are delivered with soil-conserving edge protection.

Available in six colors.

All devices are equipped with a black coated ashtray insert - made of sheet steel - which is robust and impervious.

Delivery includes a galvanized filter and set of pictogram labels.

Color (RAL)	Article-No.
white (9016)	1551
red (3000)	1552
anthracite (7021)	1554
gentian blue (5010)	1555
silver	1557
antique silver, structure	15541
Equipment	Article-No.
Quarz silver sand VE= 25 kg	1499
Inside bin, capacity = 22 l, galvanized steel sheets	15992
Delivery packed in cartons.	



Pic.: Ashtray/waste collector with fourfold opening, antique silver coated, Art.-No. 15541 & inside bin Art.-No. 15992

