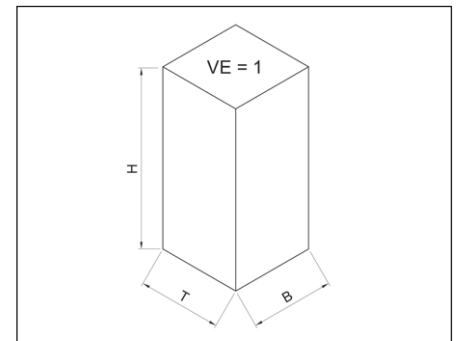
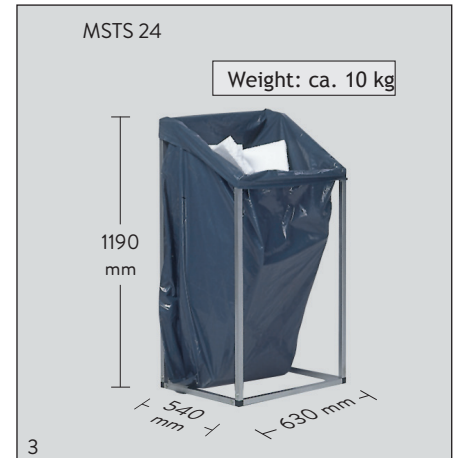
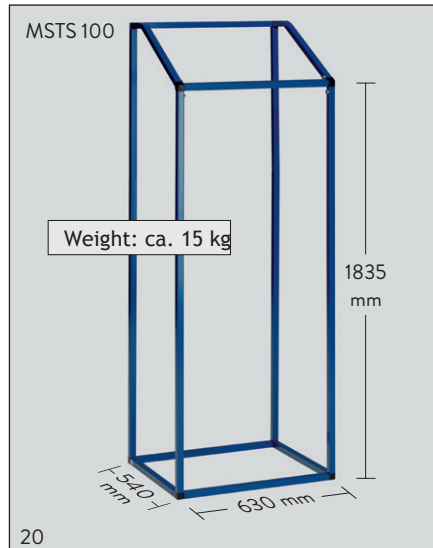


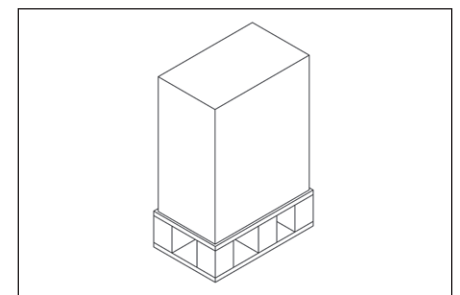


Both devices are made of high-quality four-square pipes and are powder coated for an optimal surface protection.

Both devices are available in two different versions, stationary or mobile with a rolling plate (4 wheels), in three colors: yellow (RAL1023), blue (RAL5010) or silver.



| H x D x W (mm) |                  |
|----------------|------------------|
| MSTS 24        | 130 x 130 x 1180 |
| MSTS 100       | 130 x 130 x 1180 |
| rolling plate  | 130 x 560 x 560  |
| bag 240-l      | 225 x 360 x 260  |
| bag 1cbm       | 210 x 555 x 215  |



| Palet         |         |
|---------------|---------|
| MSTS 24       | VE = 60 |
| MSTS 100      | VE = 60 |
| rolling plate | VE = 24 |
| bag 240 l     | VE = 24 |
| bag 1cbm      | VE = 18 |

|                                    | yellow<br>(like RAL 1023)                        | blue<br>(like RAL 5010) | silver |
|------------------------------------|--|-------------------------|--------|
| MSTS 24                            | 1880   | 1881                    | 1882   |
| MSTS 100                           | 1885   | 1886                    | 1887   |
| rolling plate<br>(for MSTS 24/100) | 18901  | 18902                   | 18903  |
| Equipment:                         |  |                         |        |
| for MSTS 24                        | garbage bag, 240-l (VE = 50 pcs), Art.-No. 11261 |                         |        |
| for MSTS 100                       | garbage bag, 1cbm (VE = 20 pcs), Art.-No. 1127   |                         |        |

Individual delivery packed in cartons.

