



VAR DOG

DOG WASTE BAG DISPENSER DS1



DOG WASTE BAG DISPENSER DS1

Consisting of:

- dog waste bag dispenser DS2, made of galvanized steel sheets with a high-quality, polyester-based powder coating. Equipped with a triangular lock (1 key).
- Waste collector WR1. Capacity ca. 30 l. Container made of galvanized steel sheets with powder coating. Console with lid hot-galvanized. Equipped with a barrel lock (1 key) For wall or pipe fixation.
- standing post, 3-part, hot-galvanized, to embed in concrete, total length ca. 2100 mm

Available:

Device in moss green (RAL 6005) coated Article-No 21182

or

Device in iron glimmer (close to DB 703) coated Article-No. 21192

Delivery includes fitting material.

Maße: HxTxB ca. 2000 x 480 x 350 mm



1

Art.-No. 21182

Equipment:

Dog waste bag, red
200 x 350 x 0,015 mm
VE = 1000 pcs Art.-No. 21189

dog waste bag, black
200 x 330 + 40 x 0,014 mm
VE= 2000 pcs Art.-No. 21195

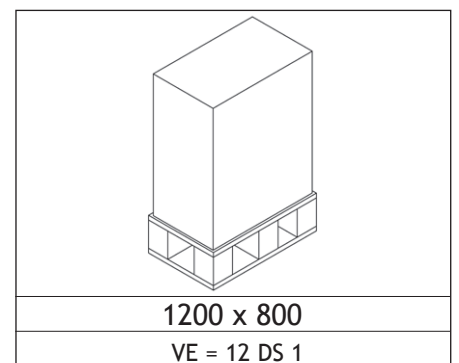
dog waste bag, green (biodegradable)
200 x 350 x 0,015 mm
VE=750 pcs Art.-No. 21179



2



3



1200 x 800

VE = 12 DS 1

